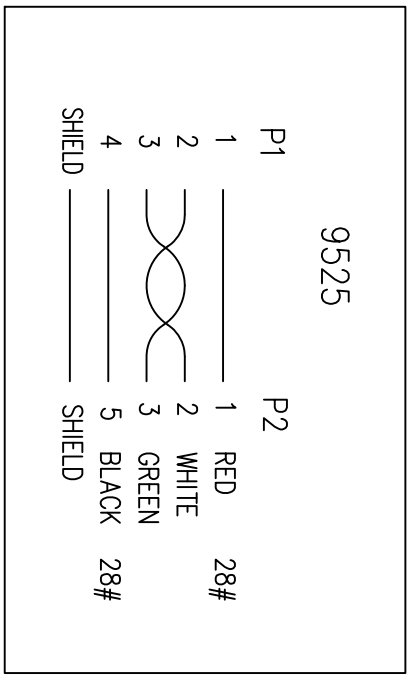
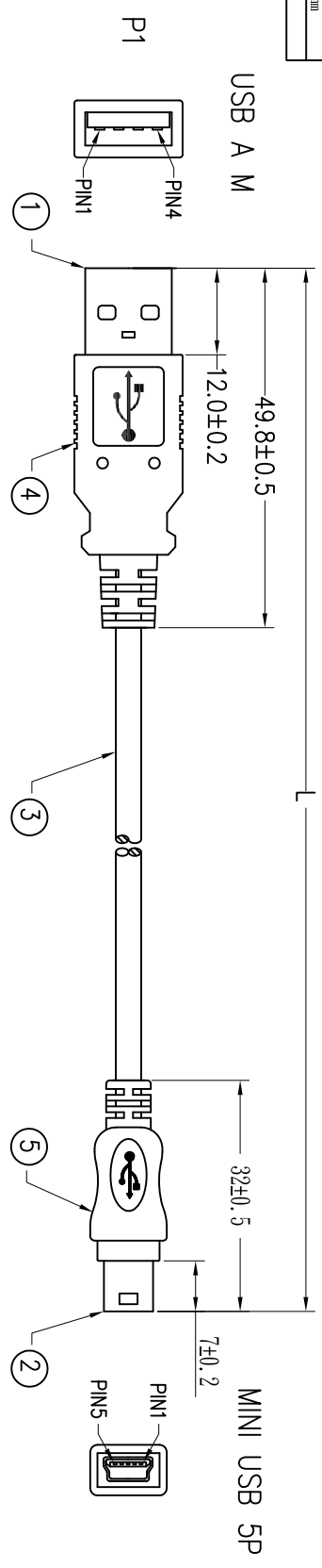


WIRE CALIBRE TOLERANCE	MACHINING TOLERANCE			
	TOLERANCE	DIMENSION L (mm)		
L (INCH)	±	A	B	C
1.5<L<4	0.25	1.5<L<5	0.10	0.15
4<L<12	0.5	5<L<15	0.15	0.20
12<L<36	1	15<L<30	0.20	0.25
36<L<60	1.5	30<L<50	0.25	0.33
60<L<80	2	50<L<70	0.30	0.40
80<L<120	2.5	70<L<90	0.35	0.48
120<L<180	3	90<L<120	0.40	0.58
180<L	4	120<L	0.45	0.65

STRIPPED/EXTENDED
 BARE COPPER
 0.25" (6.5mm)±1mm



* NOTE: All relevant materials are complied with RoHS directive.

No.	DESCRIPTION	Q'TY	Supplier
5	BLACK HEAT SHRINK TUBE Ø1.5*5mm	4	M743
4	MOLDED PVC BEIGE		M304
3	USB 2.0 CABLE, UL STYLE 1 TWISD PAIR 28AWG AND 2C 28AWG, OD 3.5mm, JACKET BEIGE, DRAWING No. EUAB2801P2802C-016	L-20mm	M304
2	MINI USB 5P MALE 2.0, GOLD PLATING 30U" ON CONTACTS, BLACK INSULATOR	1set	M108
1	USB A MALE 2.0, GOLD PLATING 30U" ON CONTACTS, WHITE INSULATOR, SHORT TYPE	1set	M108

REV	DESCRIPTION	DATE	CHK. BY	APPROVED

Cabletree Industrial Co., Ltd.

CUST: KND	CUST P/N: -
UNIT SCALE: 1:1	PERSPECTIVE
mm	
DWN. BY: MARK	CHK. BY: KELLY
	APPROVER
	DATE: SEP/26/2006
	REV: A
	SHEET: 1 OF 1

TITLE: USB-AM to MiniUSB-BM
 CT P/N: 9525