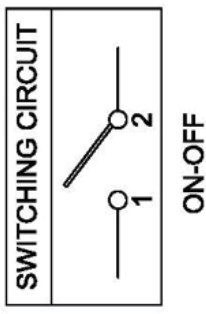
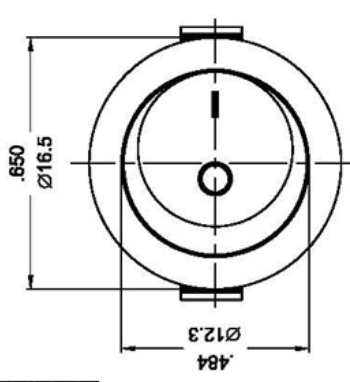


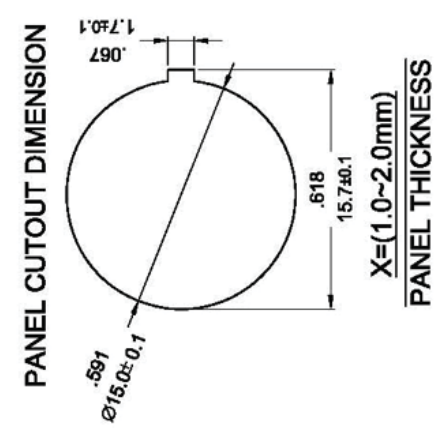
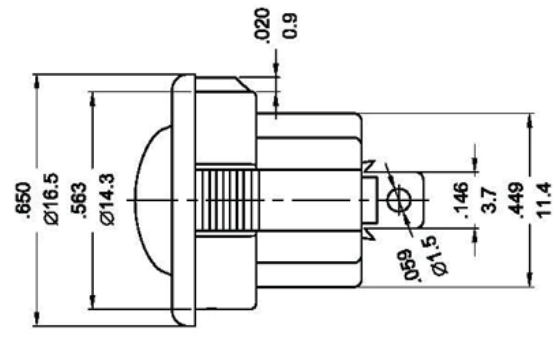
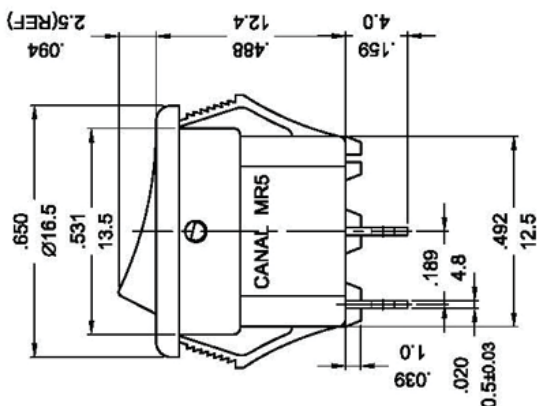
REV	DESCRIPTION	DATE	CHK. BY	APPROVED
△				
△				
△				

WIRE CALIBE	TOLERANCE	MACHINING TOLERANCE
DIMENSION	TOLERANCE	TOLERANCE
L (INCH)	±	Ⓢ B C
LS4	0.25	LS5 0.10 0.15 0.20
4<L≤12	0.5	5<L≤15 0.15 0.20 0.25
12<L≤36	1	15<L≤30 0.20 0.25 0.34
36<L≤60	1.5	30<L≤50 0.25 0.33 0.45
60<L≤80	2	50<L≤70 0.30 0.40 0.55
80<L≤120	2.5	70<L≤90 0.35 0.48 0.62
120<L≤180	3	90<L≤120 0.40 0.58 0.68
180<L	4	120<L 0.45 0.65 0.75
STRIPPED&TINNED		
BARE COPPER		
0.25" (6.5mm) ±1mm		



**RATING: 3A 250VAC (UL/CUL)
6A 125VAC (UL/CUL)
3A 250V ~ μT100/55(V/DE/ENEC/CQC)**

**DIELECTRIC VOLTAGE-WITHSTAND: 1,000VAC FOR 1 MINUTE
INSULATION RESISTANCE: DC 500V 100MΩ (MIN.)
CONTACT RESISTANCE: 20mΩ INITIAL (MAX.)**



Cabletree Industrial Co., Ltd.

CUST: KND	CUST P/N: -
UNIT SCALE	PERSPECTIVE
mm	1:1
TITLE	Small Round Rocker Switch
CT P/N	MR5-110-R5N-BBWC
APPROVER	DATE
CHK. BY	JUN/01/2012
MARK	KETTY
REV SHEET	A
1 OF 1	