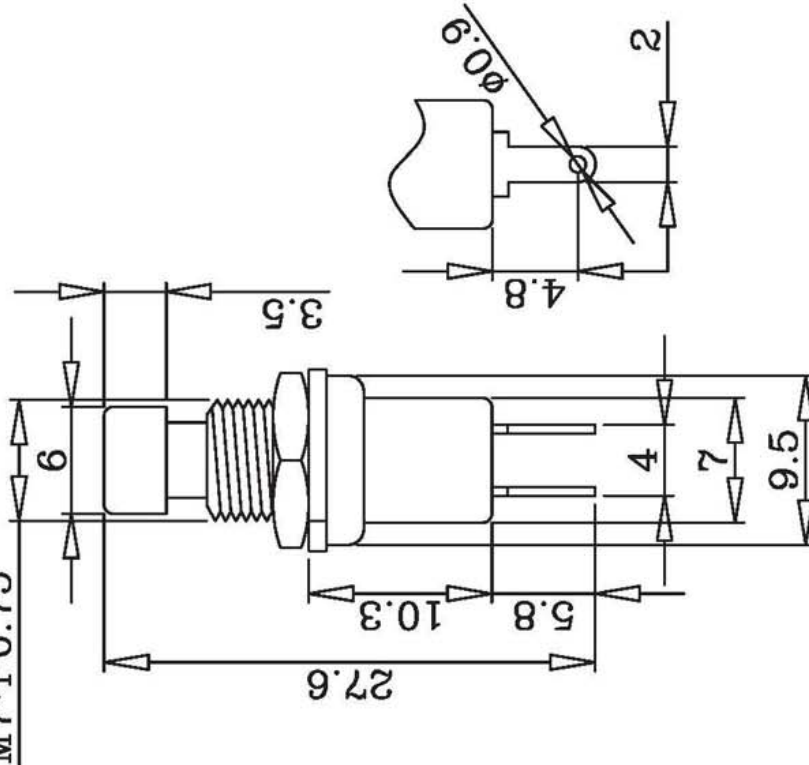


REV	DESCRIPTION	DATE	CHK. BY	APPROVED
△				
△				
△				

WIRE CALIBE	TOLERANCE	MACHINING	TOLERANCE
DIMENSION	TOLERANCE	DIMENSION	TOLERANCE
L (INCH)	±	L (mm)	±
LS4	0.25	LS5	0.10
4<L≤12	0.5	5<L≤15	0.15
12<L≤38	1	15<L≤30	0.20
36<L≤60	1.5	30<L≤50	0.25
60<L≤80	2	50<L≤70	0.30
80<L≤120	2.5	70<L≤90	0.35
120<L≤180	3	90<L≤120	0.40
180<L	4	120<L	0.45

M7*P0.75



SPECIFICATIONS

1. CIRCUIT : A:(ON)–OFF B:ON–(OFF)
2. RATING : 1A 125VAC/250VAC
3. CONTACT RESISTANCE : 30mΩ Max
4. INSULATION RESISTANCE :
DC 500V 100MΩ Min
5. DIELECTRIC STRENGTH :
AC 1000V 1 MINUTE
6. ELECTRICAL LIFE : 5000 CYCLE Min
7. MECHANICAL LIFE : 10,000 CYCLE Min
8. TERMINAL MATERIAL :
COPPER,ALLOY,(SILVER OR GOLD),PLATED
9. PUSH FORCE : >0.3kg
10. BUTTON COLOR :
RED, YELLOW, ORANGE, BLACK, GREEN

Cabletree Industrial Co., Ltd.

CUST: KND	CUST P/N: -
UNIT SCALE	PERSPECTIVE
mm	1:1
TITLE: Panel mounting Push Switch	CT P/N: PS17-5B
DATE: AUG/30/2006	REV SHEET: A 1 OF 1
CHK. BY: KETTY	APPROVER:
DWN. BY MARK	