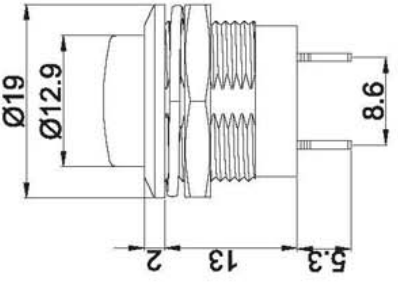
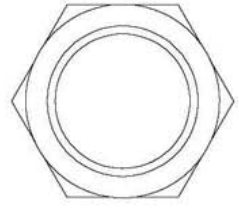
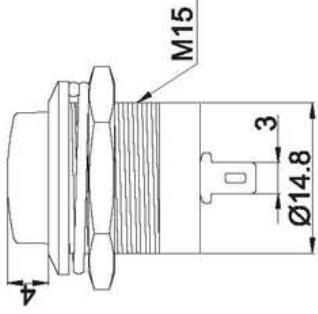
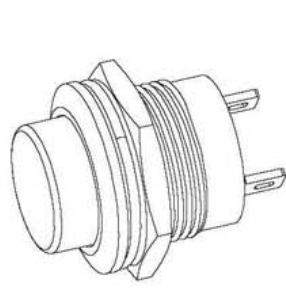


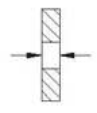
REV	DESCRIPTION	DATE	CHK. BY	APPROVED
△				
△				
△				

WIRE CALBE TOLERANCE		MACHINING TOLERANCE		
DIMENSION L (INCH)	TOLERANCE	DIMENSION L (mm)	TOLERANCE	
L≤4	±0.25	L≤5	0.10	B C
4<L≤12	0.5	5<L≤15	0.15	0.20
12<L≤36	1	15<L≤30	0.20	0.25
36<L≤60	1.5	30<L≤50	0.25	0.33
60<L≤80	2	50<L≤70	0.30	0.40
80<L≤120	2.5	70<L≤90	0.35	0.48
120<L≤180	3	90<L≤120	0.40	0.58
180<L	4	120<L	0.45	0.65
STRIPPED&TINNED				
BARE COPPER				
0.25 (6.3mm)±1mm				

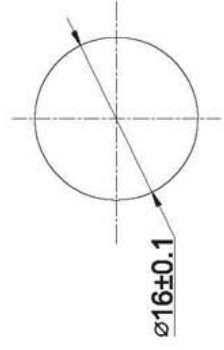
Rating: 6A 125V AC ;
3A 250V AC ;
Contact Resistance: 50mΩ Max. ;
Insulation Resistance:DC 500V 100MΩ Min. ;
Dielectric Strength:AC 1000V 1 minute
Total Travel: 2.4±0.4mm
Operating Force:250±50gf
Operating Temperature:0°C~85°C
Life test: The switch should operate at least 10,000 times without failure.
Mechanical life test: The switch should operate at least 50,000 times without mechanical failure.
Function: OFF-(ON)



MATERIAL
Base: PA66, UL rated :94V-2 Min. ;
Cap: ABS ;
Terminal: Copper, Silver or Tin plated ;
Nut: Brass, Ni plated.



Panel Thickness: 3mm MAX.



CUT-OUT

R	Red	红色
G	Green	绿色
B	Black	黑色
A	Gray	灰色
CAP COLOR (X)		

Cabletree Industrial Co., Ltd.

CUST: KND	CUST P/N: -
UNIT SCALE	TITLE: Small Round Push Switch
mm	CT P/N: PB-02-PM-G
DWN.BY	APPROVER
MARK	DATE
	AUG/30/2008
	REV SHEET
	A 1 OF 1