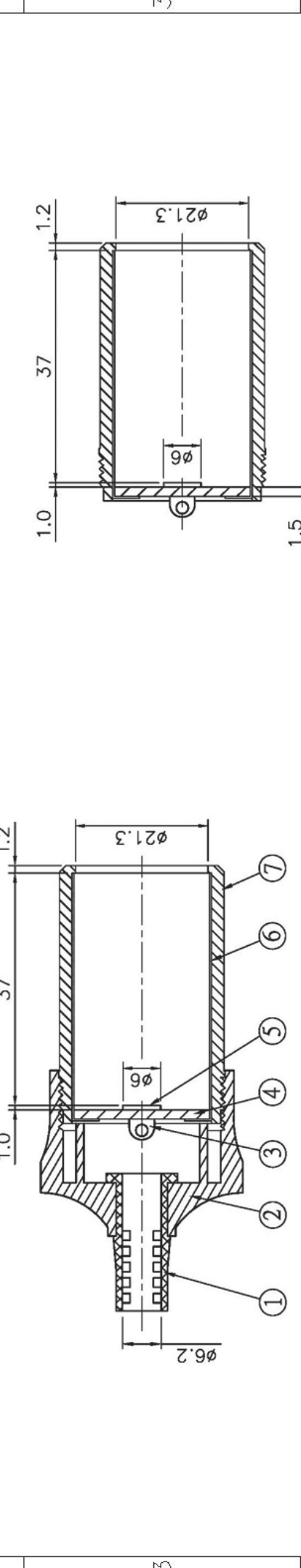
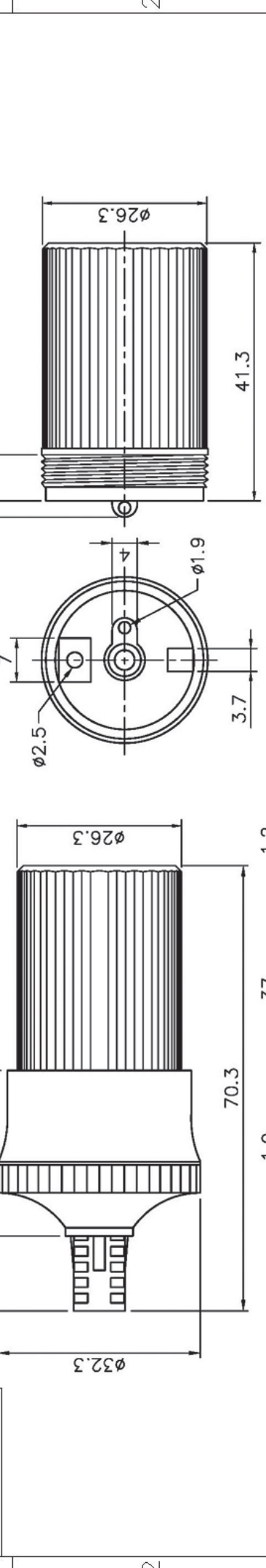


REV	DESCRIPTION	DATE	CHK. BY	APPROVED
△				
△				
△				

WIRE CALBE TOLERANCE	MACHINING TOLERANCE	TOLERANCE
DIMENSION	DIMENSION	TOLERANCE
L (INCH)	L (mm)	±
LS4	LS5	0.10/0.15/0.20
4<L≤12	5<L≤15	0.15/0.20/0.25
12<L≤36	15<L≤30	0.20/0.25/0.34
36<L≤60	30<L≤50	0.25/0.33/0.45
60<L≤80	50<L≤70	0.30/0.40/0.55
80<L≤120	70<L≤90	0.35/0.48/0.62
120<L≤180	90<L≤120	0.40/0.58/0.68
180<L	120<L	0.45/0.65/0.75
STRIPPED&TINNED		
BARE COPPER		
0.25" (6.5mm) ± 1mm		



No	Part Name	Material
1	S.R.	PVC
2	Cap	ABS, PA757 94HB
3	Solder(+) Terminal	Brass
4	Insulator	Bakelite
5	(+)Terminal	Brass
6	Copper Tube	Brass
7	Body	ABS, PA757 94HB

Cabletree Industrial Co., Ltd.

CUST: KND	CUST P/N: -
UNIT SCALE	PERSPECTIVE
mm	1:1
DWN.BY	CHK. BY
MARK	PATTY
APPROVER	DATE
OCT/24/2007	A
REV SHEET	1 OF 1