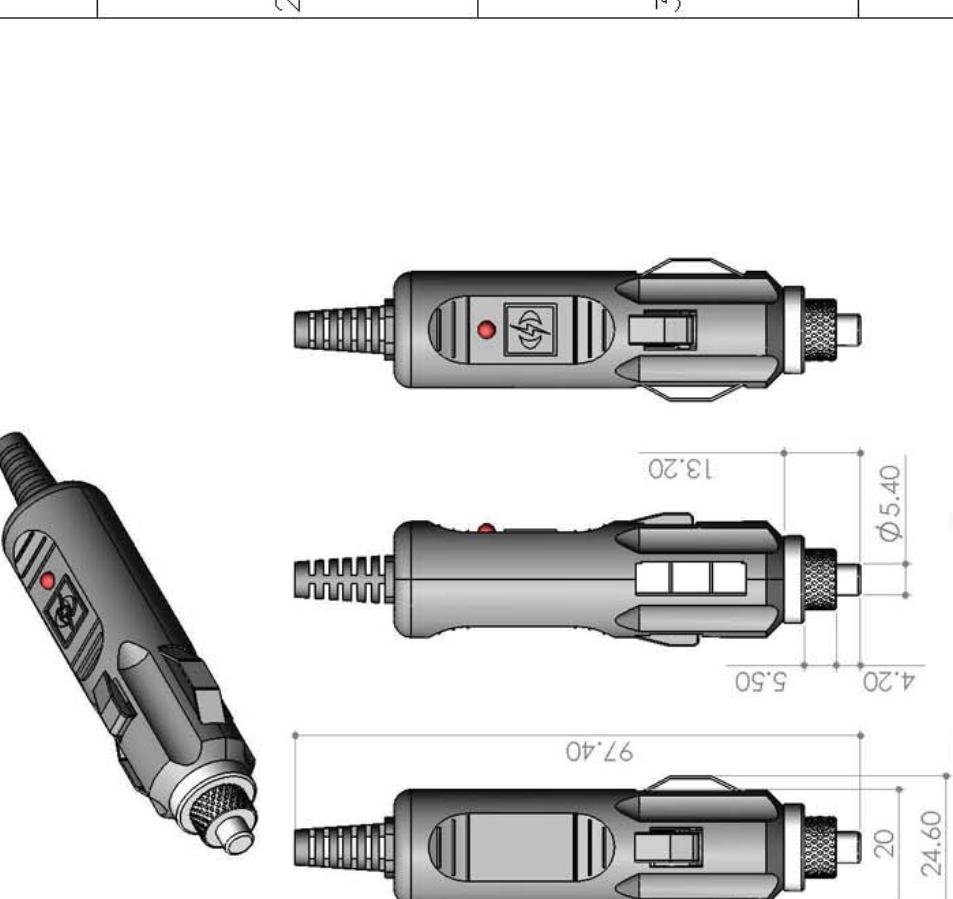


REV	DESCRIPTION	DATE	CHK. BY	APPROVED
△				
△				
△				

WIRE CALIBE TOLERANCE		MACHINING TOLERANCE		
DIMENSION	TOLERANCE	DIMENSION	TOLERANCE	
L (INCH)	±	L (mm)	Φ	C
LS4	0.25	LS5	0.10	0.15
4<L≤12	0.5	5<L≤15	0.15	0.20
12<L≤38	1	15<L≤30	0.20	0.25
36<L≤60	1.5	30<L≤50	0.25	0.34
60<L≤80	2	50<L≤70	0.30	0.40
80<L≤120	2.5	70<L≤90	0.35	0.48
120<L≤180	3	90<L≤120	0.40	0.58
180<L	4	120<L	0.45	0.75
STRIPPED&TINNED				
BARE COPPER				
0.25 (6.5mm) ± 1mm				



NO.	Part Name	Material	Electro plated
1.	Casing(A)	Nylon	
2.	Casing(B)	Nylon	
3.	SR	PVC	
4.	Iron Ring	Iron	Nickel Plated
5.	Tip	Brass	Nickel Plated
6.	Cap	Brass	Nickel Plated
7.	Terminal(-)	Steel	Nickel Plated
8.	Terminal(+)	Brass	Nickel Plated
9.	Fuse	Glass Tube	
10.	Spring	Steel	Zinc Plated
11.	LED		
12.	Resis Tance	Carbon Film	

**Cabletree Industrial Co., Ltd.**

CUST: KND	CUST P/N: -
UNIT SCALE	PERSPECTIVE
mm	1:1
CHK. BY	DATE
PATTY	JUL/20/2006
APPROVER	REV SHEET
	A
	1 OF 1