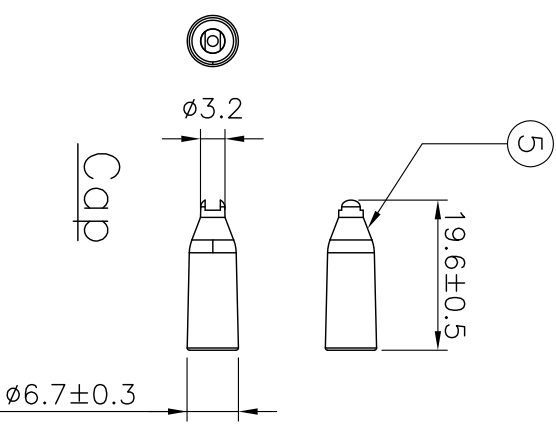
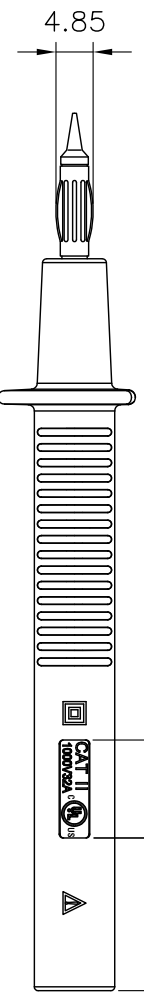
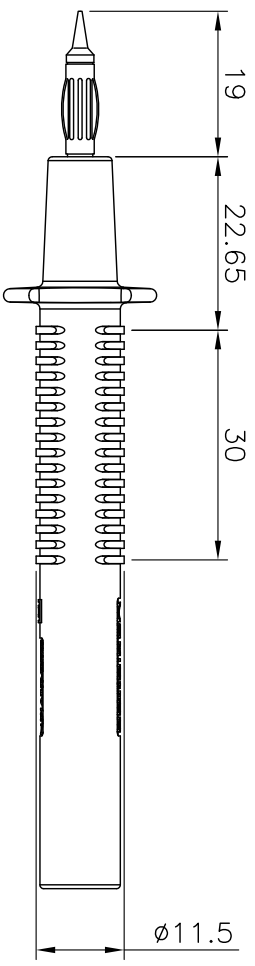
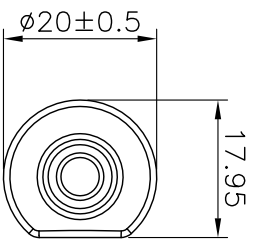
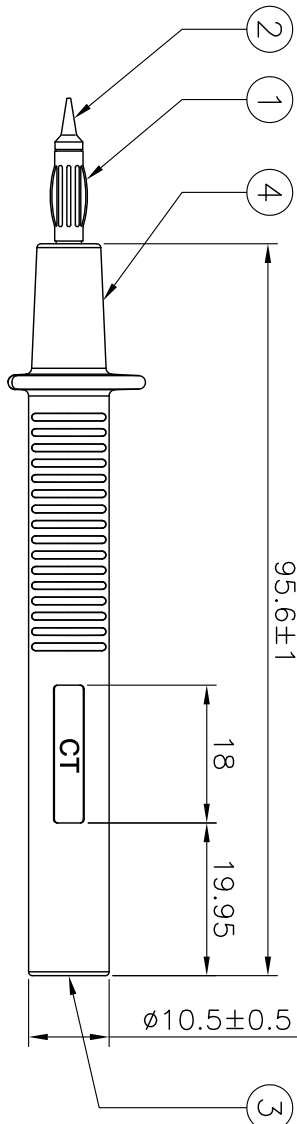


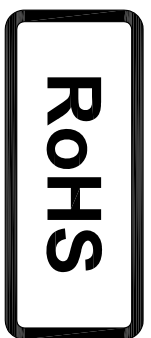
DIMENSION	TOLERANCE		
	A	B	C
L (mm)	0.10	0.15	0.20
L≤5	0.10	0.15	0.20
5<L≤15	0.15	0.20	0.25
15<L≤30	0.20	0.25	0.34
30<L≤50	0.25	0.33	0.45
50<L≤70	0.30	0.40	0.55
70<L≤90	0.35	0.48	0.62
90<L≤120	0.40	0.58	0.68
120<L	0.45	0.65	0.75

REV	DESCRIPTION	DATE	CHK. BY	APPROVED



Test Probe

Snap-on P/N	Cabletree P/N	Molding color (Test Probe & Cap)
2-09542A1	CT001895	Black
2-09542A2	CT001896	Red



NOTES:  
 1. Voltage Rating: DC 1000V  
 2. Current Rating: 32A

**CT** Cabletree Industrial Co., Ltd.

ITEM	DESCRIPTION	VENDOR	MATERIAL	FINISH
05	Cap	Nan Ya	PBT (1300ENC1)	Color: (see table)
04	Test Probe insulation	Nan Ya	PBT (1300ENC1)	Color: (see table)
03	Test Probe tube	CU & AL	Brass (C2700)	-
02	Test Probe conductor	CU & AL	Brass (C3604)	Nickel plated
01	Test Probe contact	Tai Mao	CDA Alloy (C1720)	Nickel plated

CUST: Snap-on		CUST P/N: 2-09542A1~2	
UNIT SCALE	PERSPECTIVE	TITLE:	Test Probe & Cap
mm	1:1	CT P/N:	CT001895~6
DWN. BY	CHK. BY	APPROVER	DATE
MARK	PETER		JUN/28/2016
REV	SHEET		
A	1 OF 1		